

CURRENT TRANSFORMER

Model 604

HIGH ACCURACY LOW RATIO
SPLIT CORE

Window size 1.42" X 1.53"

APPLICATION:
For energy management systems and instrumentation.

FREQUENCY:
50-400 Hz.

INSULATION LEVEL:
0.6 kV, BIL 10 kV full wave.

CONTINUOUS THERMAL CURRENT RATING FACTOR:

Models 604-101 - 604-401:
1.33 at 30°C amb.,
1.0 at 55°C amb.

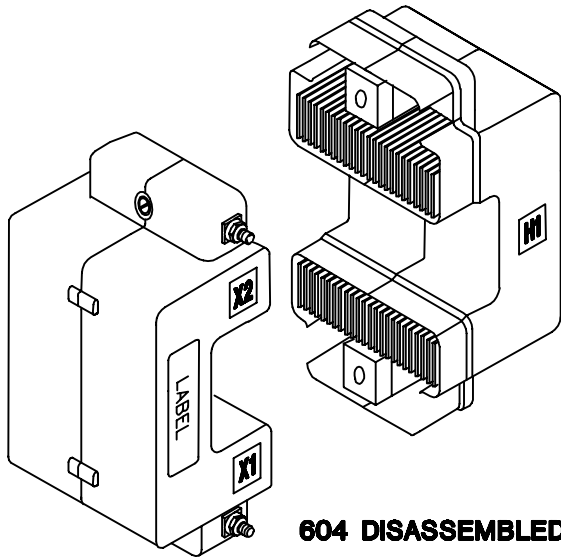
Model 604-1000T:
450A at 30°C amb.,
350A at 55°C amb.

- Terminals are 10-32 brass studs with one flatwasher and 2 regular nuts.
- Flexible leads UL 1015 105°C. CSA approved, #16 AWG, 24" long are available.
- Approximate Weight: 2.5 lbs.

REGULATORY AGENCY APPROVALS



Manufactured to meet the requirements of ANSI C57.13.
Classified by U.L. in accordance with IEC 44-1

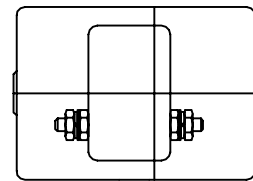


604 DISASSEMBLED

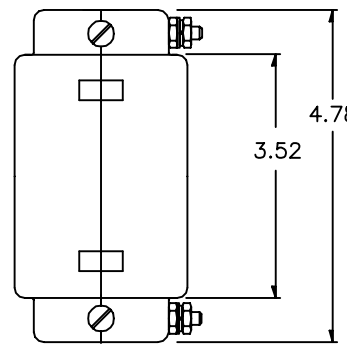
This transformer is designed for assembly to an existing electrical installation without the need for dismantling the primary bus or cables.

The 604-1000T is intended for use with high input impedance devices.

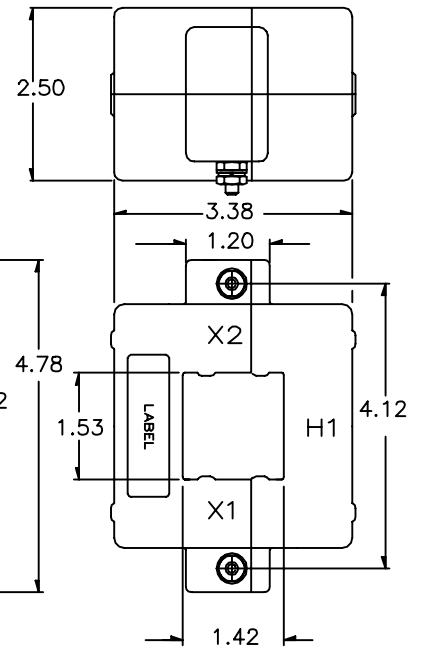
The output can be rectified and filtered for devices requiring d.c. input. The non-linearity and voltage drop of the rectifiers and filters must be considered in the choice of the loading impedance.



Terminal arrangement for ratios 250:5 thru 400:5.



Terminal arrangement for ratios 100:5 thru 200:5.

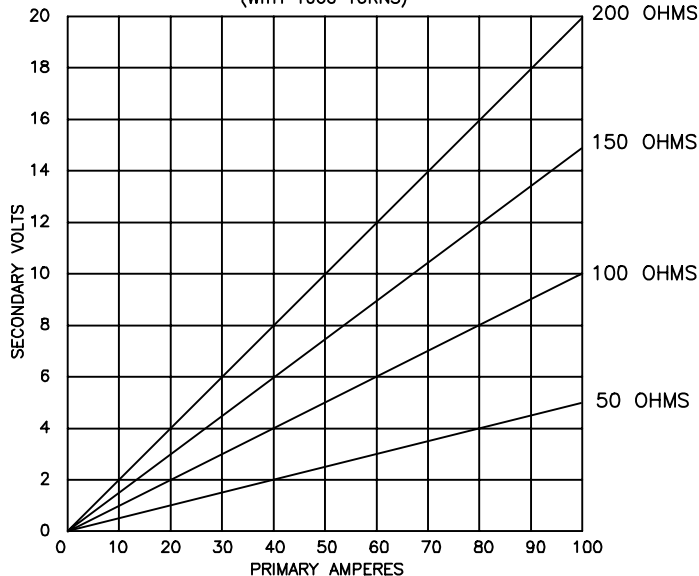


CAUTION :

Proper safety precautions must be followed during installation by a trained electrician. Never install while bus is energized.

The current transformer must have its secondary terminals short circuited or the burden connected, before energizing the primary circuit.

TYPICAL PERFORMANCE CHARACTERISTICS MODEL 604-1000T (WITH 1000 TURNS)



CATALOG NUMBER	CURRENT RATIO	BURDEN VA	ACCURACY
604-101	100:5	1	± 5%
604-1250	125:5	1	± 5%
604-151	150:5	1	± 4%
604-1750	175:5	1	± 3%
604-201	200:5	1	± 2%
604-251	250:5	2	± 2%
604-301	300:5	2	± 1.5%
604-351	350:5	2.5	± 1.5%
604-401	400:5	2.5	± 1.5%
604-1000T	100:0.1	SEE GRAPH	± 3%